



### Information about the product

Dimensions	865 x 1115 cm
Safety zone	1165 x 1415 cm
Safety zone area	108 m <sup>2</sup>
Overall height	210 cm
Free fall height	210 cm
Amount of users	65
Product complies with EN 1176-1:2017-12	Tak
Availability of spare parts	Tak
Age range	3-12

According to EN 1176-1:2017-12 norm, the product requires applying a safety surface according to the product's free fall height.

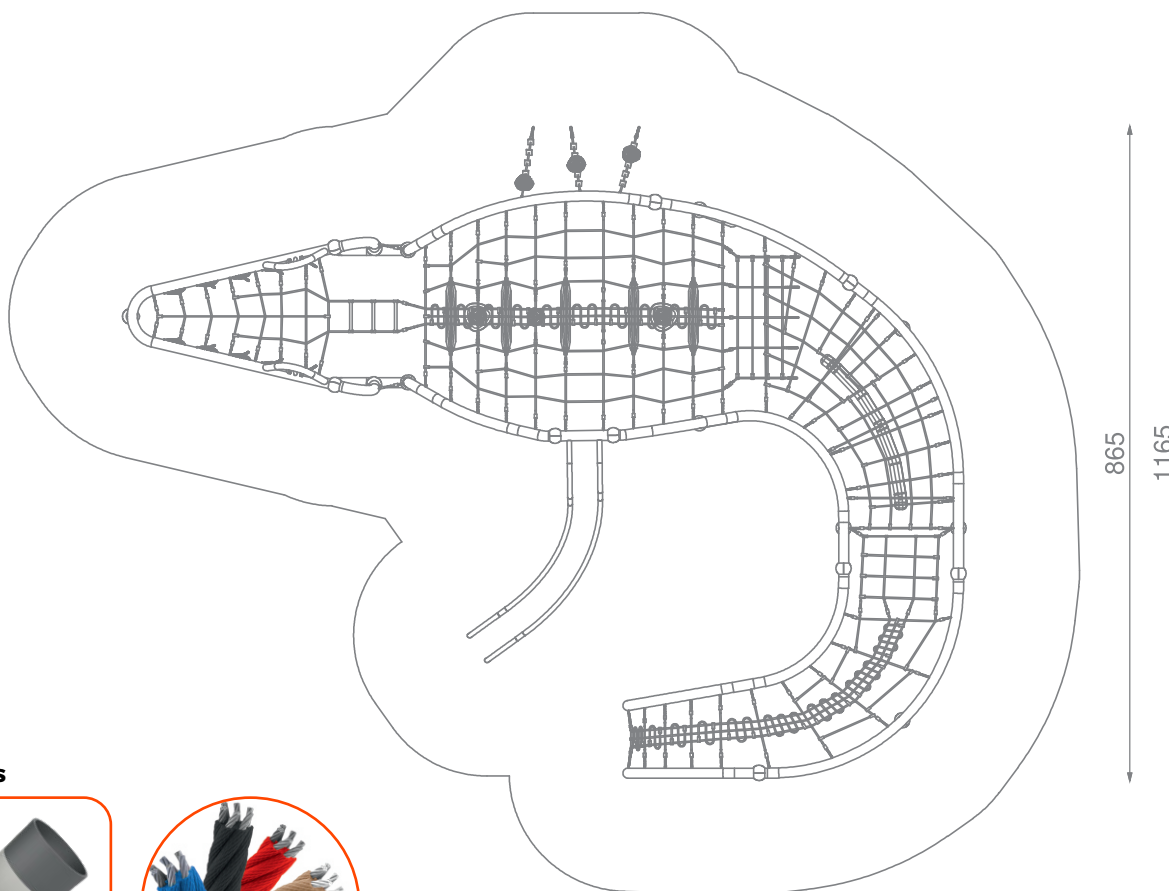
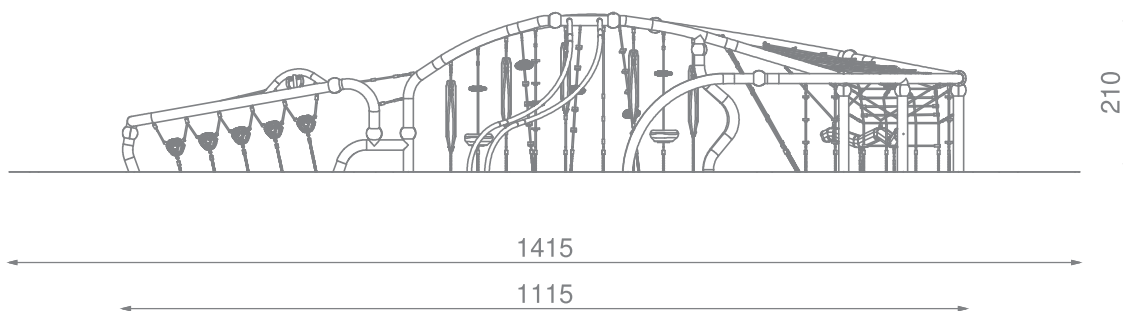
### Functions

-  Climbing
-  Balancing
-  Socializing
-  Sliding

**SHAPE**  
WAVE MASTER

A pipe-bending technique that allows for the maintenance of a smooth steel surface.





SCALE 1:100

**Materials**



Steel construction:  
Ø133 pipes, powder  
galvanized and covered  
in powder coating paint



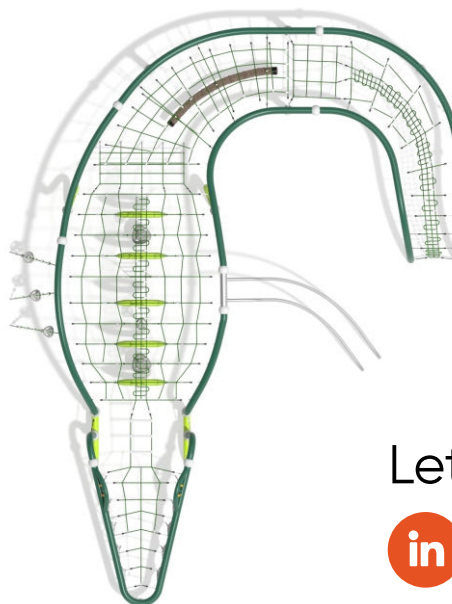
Polypropylene ropes pp -  
multisplit type with a steel  
core and a diameter of 16  
mm



Elements: HDPE 15 mm



Modules manufactured of  
rotomoulded polyethylene



Let's Buglo

