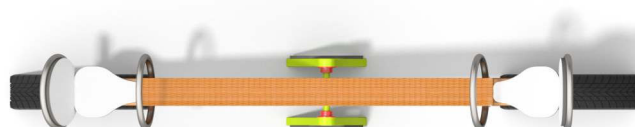


8013



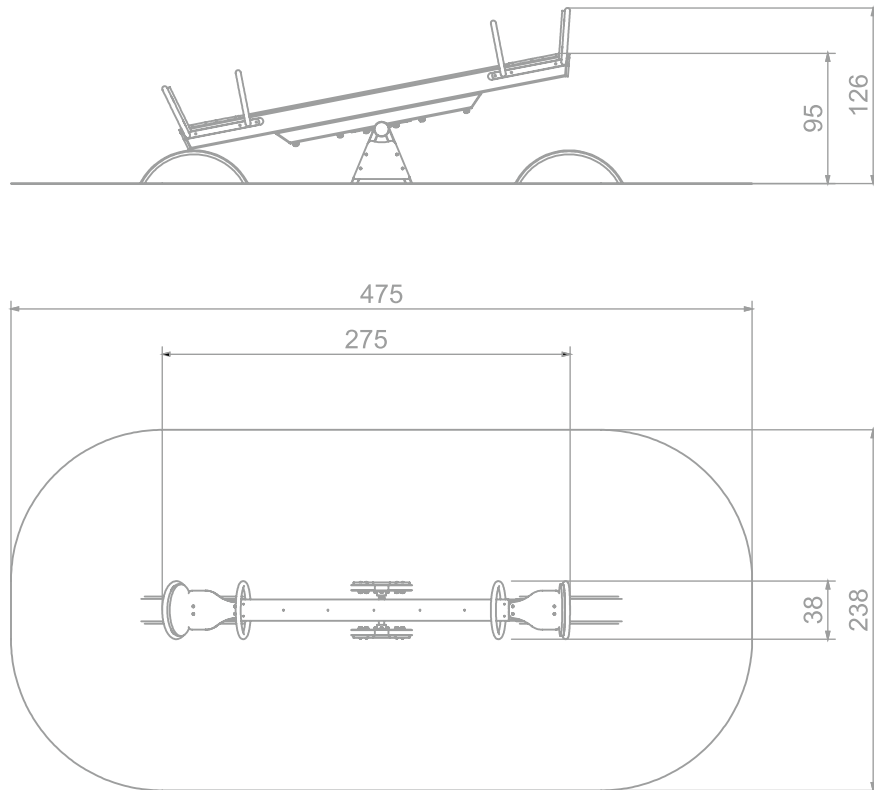
INFORMATION ABOUT THE PRODUCT

Dimensions	38 x 275 cm
Safety zone	238 x 475 cm
Safety zone area	11 m ²
Overall height	126 cm
Free fall height	95 cm
Amount of users	2
Product complies with EN 1176-1:2017-12	YES
Availability of spare parts	YES
Age range	3-12
<small>According to EN 1176-1:2017-12 norm, the product requires applying a safety surface according to the product's free fall height.</small>	



8013

INFORMATION FOR ARCHITECTS



SCALE 1:50

MATERIALS:

SOFT CONIFER WOOD
140 x 140 MM, CORELESS,
GLUED IN LAYERS WITH
POLYURETHANE GLUES,
TOTALLY RESISTANT TO WATER



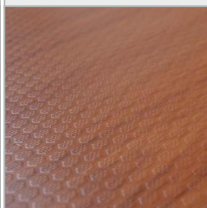
SOFT CONIFER WOOD
90 x 90 MM, CORELESS,
GLUED IN LAYERS WITH
POLYURETHANE GLUES,
TOTALLY RESISTANT TO WATER



PLATES OF THE WALLS MADE
OF COLORFUL TRIPLE
LAYERED 15 MM HDPE
POLYETHYLENE



ANTI-SLIP 10 MM
PLATFORM PLATE



ELEMENTS CONSTRUCTION:
STAINLESS STEEL
AISI304

