

1215

OCEAN BLUE



SLIDING



SOCIALIZING



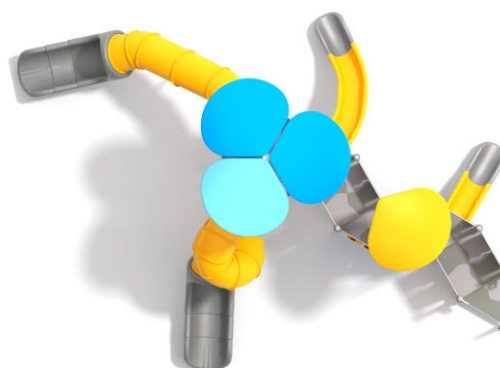
CLIMBING

FRESH GREEN

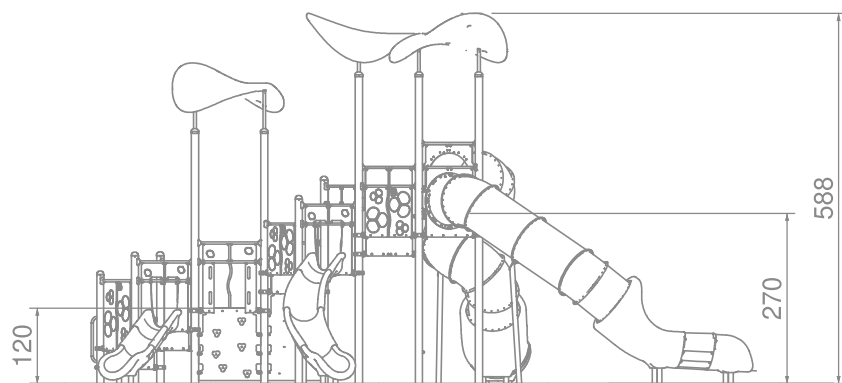


INFORMATION ABOUT THE PRODUCT

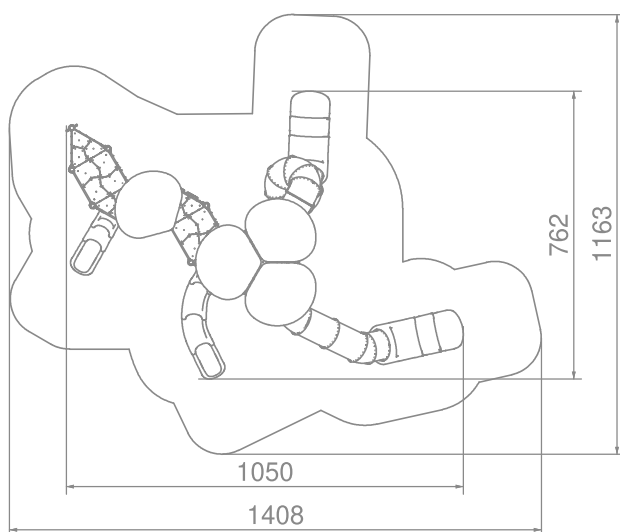
Dimensions	1050 x 762 cm
Safety zone	1408 x 1163 cm
Safety zone area	99 m ²
Overall height	588 cm
Free fall height	270 cm
Amount of users	23
The heaviest element	55 kg
The biggest element	6 m
Product complies with EN 1176-1:2017-12	YES
Availability of spare parts	YES
Age range	1-12
According to EN 1176-1:2017-12 norm, the product requires applying a safety surface according to the product's free fall height.	



1215



SCALE 1:120



SCALE 1:200

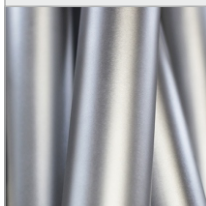


MATERIALS:

STEEL CONSTRUCTION:
Ø114 PIPES, POWDER
GALVANIZED AND COVERED
IN POWDER COATING PAINT



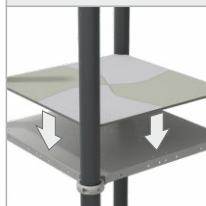
FIXING FOR ROOFS:
STAINLESS STEEL AISI304



PANELS:
HDPE 15 MM



PLATFORM:
STEEL SHEET GALVANIZED
AND COVERED WITH
POWDER COATING
PAINT + HPL 6 MM



SLIDES AND ROOFS
ARE MADE USING
ROTOMOULDING TECHNIQUE
USING LDPE
MATERIAL



CLIMBING WALLS
AND SIDES OF STAIRS:
HPL 13 MM

